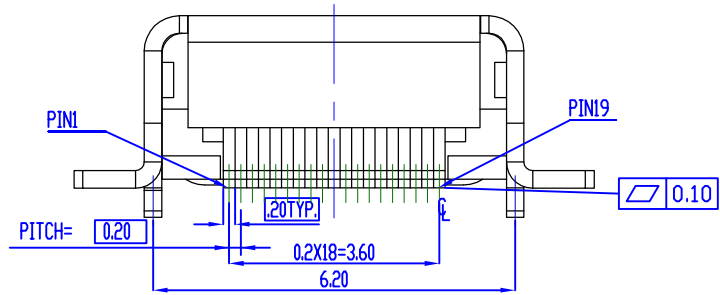
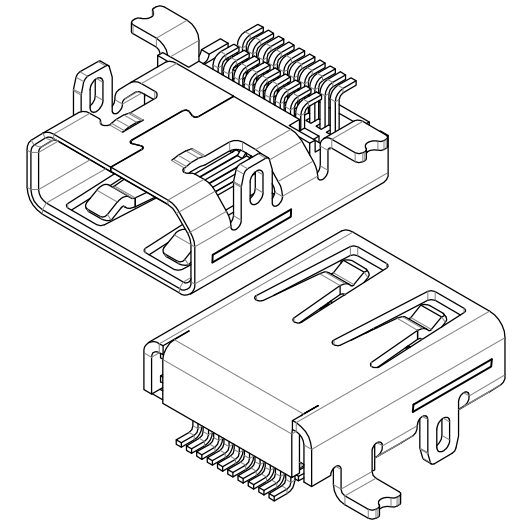
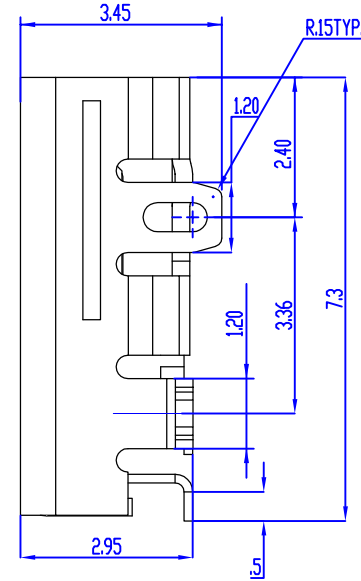
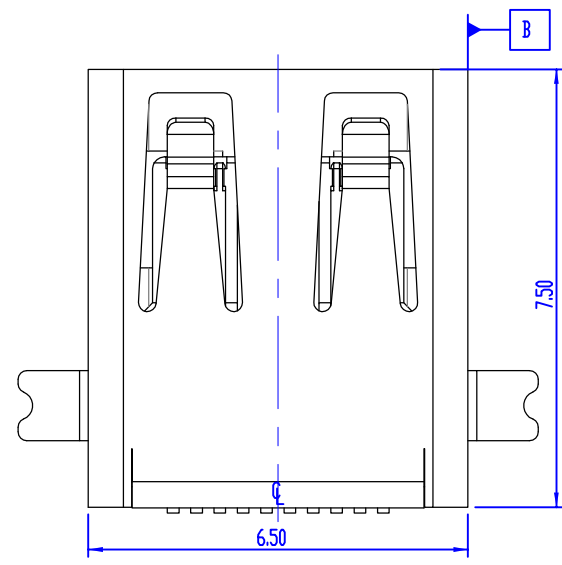
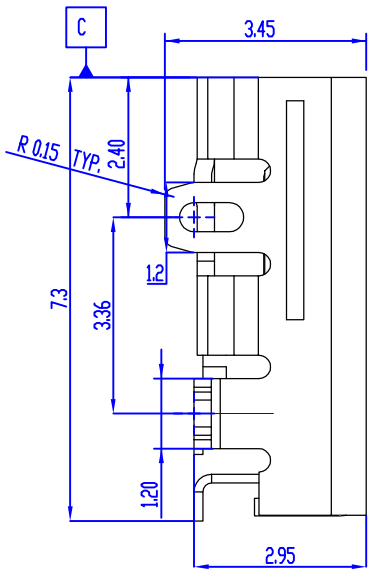
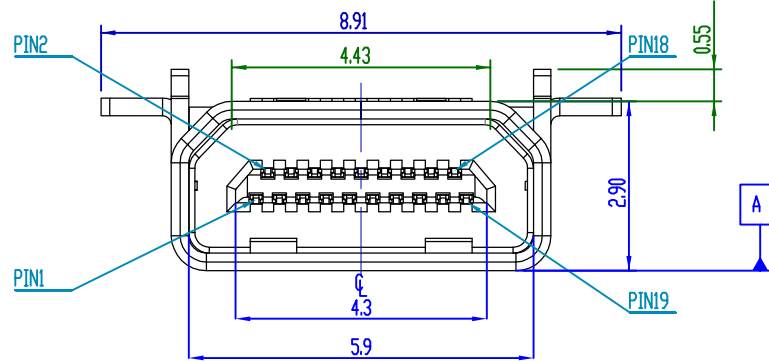


REV.	MODIFICATION	DRAWN	APPROVED
E	DIM. 7.3		

NOTES :
 1.Material :
 Housing : High temperature thermoplastic,UL94-V0.
 Color : White
 Terminal : Copper Alloy.
 Shield : Copper Alloy.
 2.Shield:
 50 U" MIN. NICKEL PLATING OVER ALL.



GENERAL TOLERANCE	
X ± 0.40	X* ± 5°
.X ± 0.30	.X* ± 2°
.XX ± 0.20	.XX* ± 1°
.XXX ± 0.10	.XXX* ± 0.5°

Coorle 库乐科技

HDMI TYPE D RECEPTACLE CONNECTOR

1.THIS PRODUCT DOESN'T CONTAIN ENVIRONMENTAL HAZARDOUS MATERIALS PER DIRECTIVE 2002/95/EC FOR RoHS.
 2.ALL RIGHTS RESERVED.PRODUCTS ARE COVERED BY PATENTS AND/OR PATENTS PENDING.

CUSTOMER DRAWING		PART NO. 100-50002X	DWG NO.	
APPROVAL	CHECKED	DRAWN	UNIT MM	SCALE NONE
			PROJ.	SHEET 1 / 3
			REV. E	